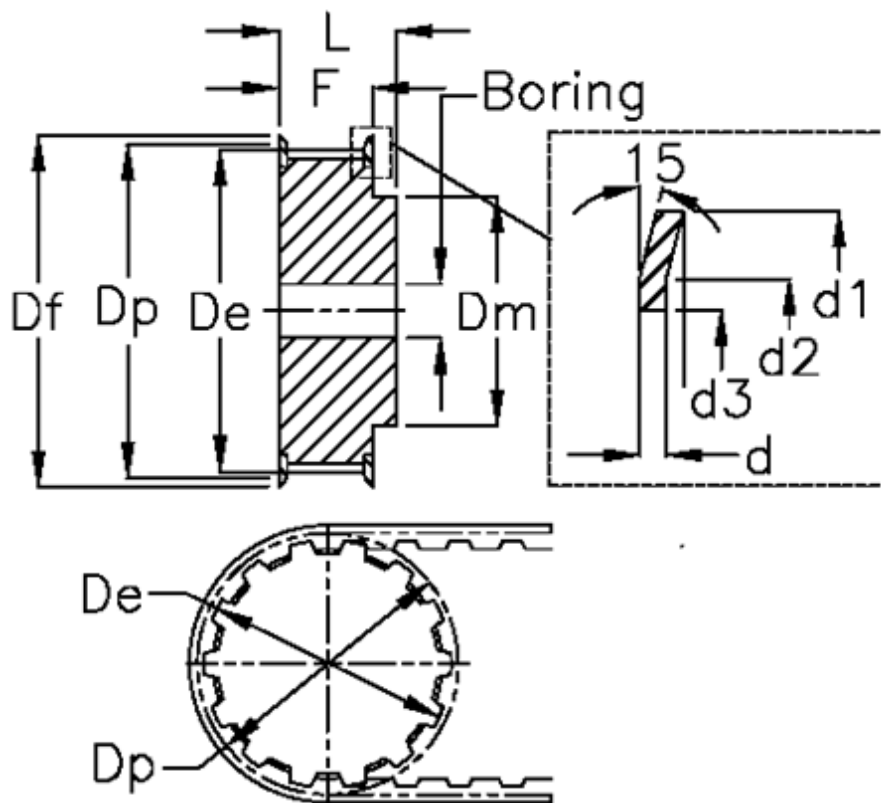


Article number: 604140018015

Description: Timing belt pulley with hub
HTD 18 3M 15

Measures



| | | |
|------------|--------------|---------|
| Bore = 6 | Dp | = 17.19 |
| d = 0.5 | F | = 19.5 |
| d1 = 20 | Flange type | = F06 |
| d2 = 16.5 | L | = 26 |
| d3 = 12.2 | Tooth number | = 18 |
| De = 16.43 | Type | = 3M |
| Df = 20 | Weight | = 0.012 |
| Dm = 11 | Width | = 15 |